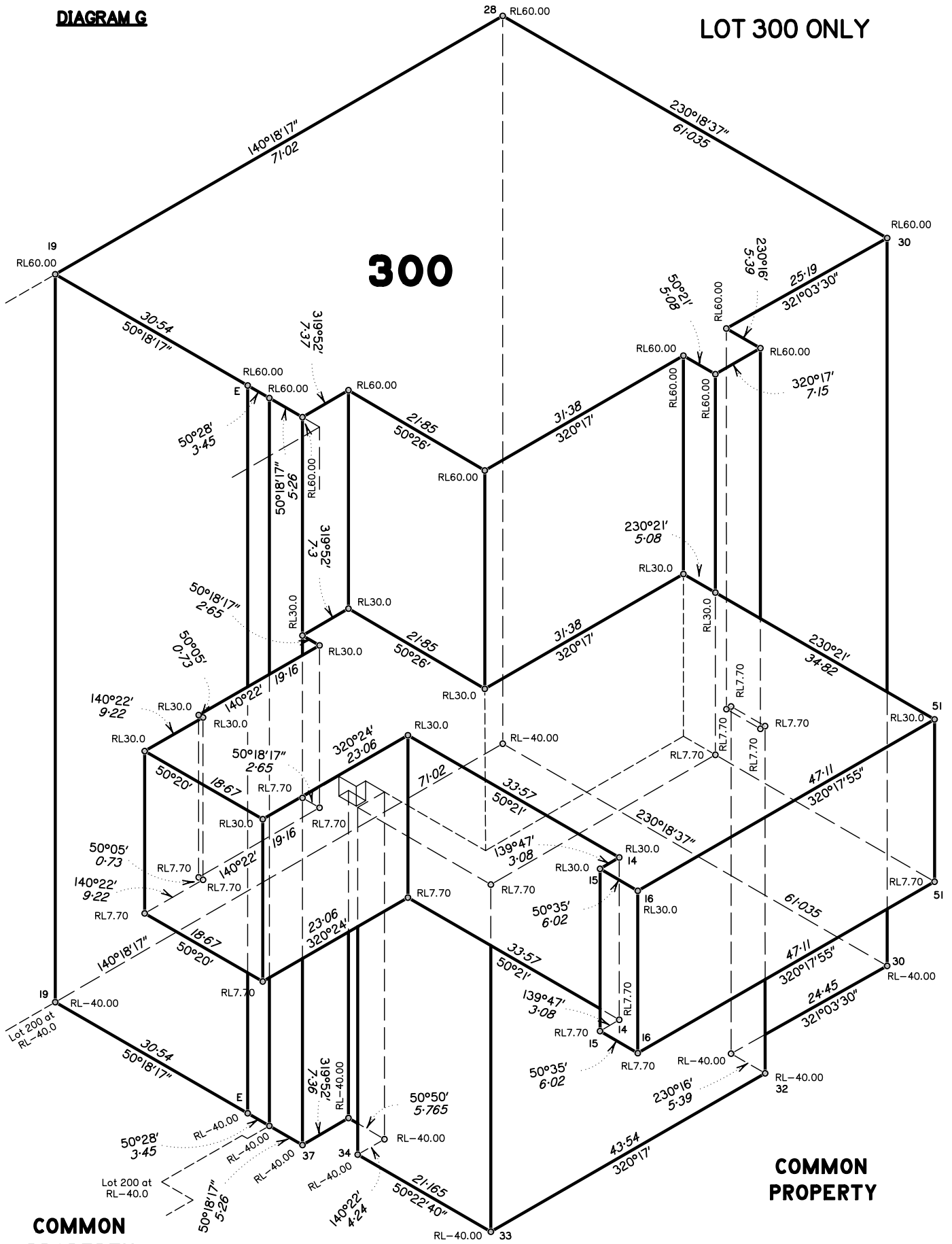


# WESTERLY ISOMETRIC VIEW

DIAGRAM G

LOT 300 ONLY

# 300



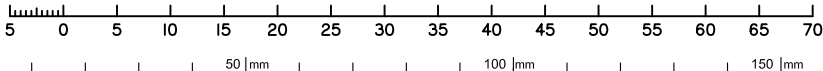
**COMMON PROPERTY**

**COMMON PROPERTY**

Existing Easement Information has been omitted from this sheet for purposes of clarity.  
New Easement Information has been omitted from this sheet for purposes of clarity.

Horizontal Scale 1:500 / Vertical Scale 1:500

State copyright reserved.



Insert Plan Number

**SP**