

# EASTERLY ISOMETRIC VIEW LOT 300 ONLY

**DIAGRAM H**

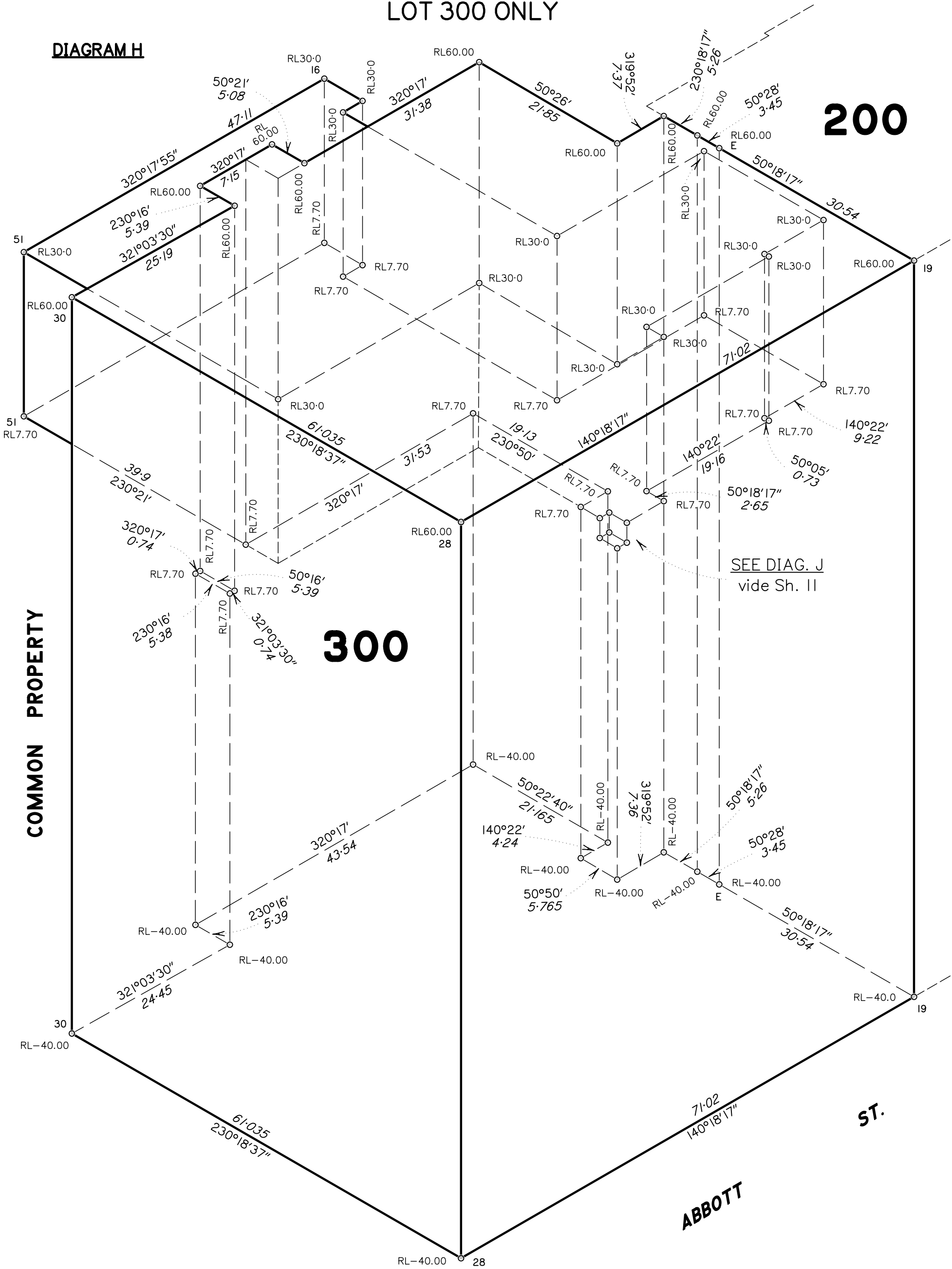
# 200

# 300

**COMMON PROPERTY**

**ABBOTT**

**ST.**

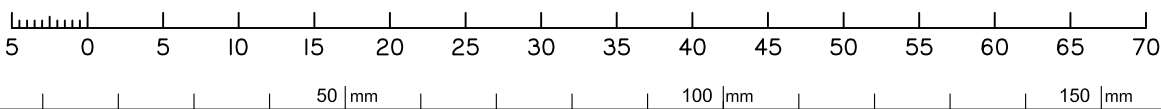


Existing Easement Information has been omitted from this sheet for purposes of clarity.

New Easement Information has been omitted from this sheet for purposes of clarity.

Horizontal Scale 1: 500 / Vertical Scale 1: 500

State copyright reserved.



Insert Plan Number	<b>SP165245</b>
--------------------	-----------------